

Luna

Components

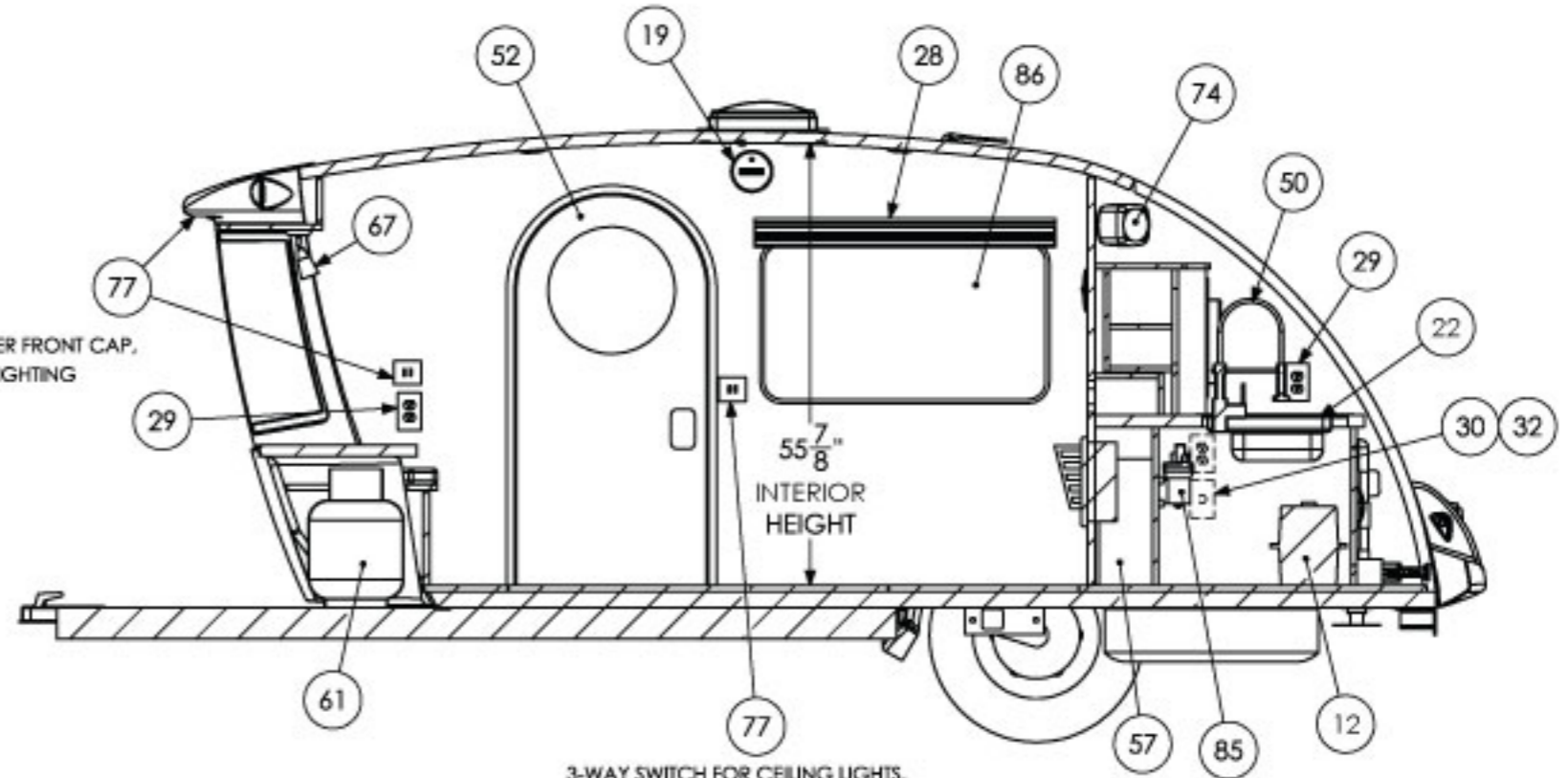


ITEM NO.	DESCRIPTION	NOTES	QTY.
1	12V, Coax, HDMI - ITRV		1
2	Antenna, Radio		1
3	Axle - Dexter - ITRV	2200#, 22.5 DOWN, 85.5HF, 71.5AB	1
12	Battery Box		1
13	Battery Vent		1
19	CO Detector		1
20	Coaxial Cable Jack - Exterior		1
21	Command Control - ITRV	Tank Monitor, Pump, Tank Heater & Light Switches	1
22	Cooktop-Sink Combo	MO9523RSUS	1
24	Cool Cat AC		1
25	Cooler - Dometic, TropiCool - ITRV	TC-35US	1
26	Cooling Box	CFX-40	1
27	Coupler 2 inch Ball - Straight - ITRV		1
28	Day-Night Shade		2
29	Electrical Outlet	120V 15 Amp	3
30	Electrical Outlet	12V	1
31	Electrical Outlet	120V 15 Amp with 2 USB	1
32	Electrical Outlet	120V 20 Amp	1
33	FS 6x10.5 In Floor Storage Pan	45 1/2"x19 1/2"	2
37	FS6x10.5 Front Base Cabinet		1
38	FS6x10.5 Front Bench Cushion		2
39	FS6x10.5 Front Upper Cabinet		1
40	FS6x10.5 Kitchen Cabinet Assembly V2		1
43	FS6x10.5 Pedestal Countertop		1
45	FS6x10.5 Rear Door		1
49	FS Cooler Slide Assembly		1
50	FS Faucet		1
51	FS Side Door	24"x50" LHS	1
52	FS Side Door	24"x50" RHS	1
53	FS Spare Tire	ST205/75RT15	1
55	FS Storage Basket		1
56	FS Supply & Return Vent		1
57	FS Water Tank	8 Gallon	1
58	Fire Extinguisher	2 lb	1
59	LCD TV	40" DC	1
60	LP Detector	Model: LP_DO	1
61	LP Tank	20#	1
63	Light, Loading	11" 12V Loading Light	3
64	Light, Loading	18" 12V MAX Loading Light	1
66	Light, Puck		4
67	Light, Reading		2
68	Load Center	30 Amp L/C - 35 Amp Conv	1
69	Microwave Flush Mount	1.0 cu ft	1
70	Motorbase Plug	30 Amp	1
71	Rear Receiver Hitch - ITRV		1
72	Roof Vent		1
73	Solar Charger Port		1
74	Speaker		2
75	Speaker - ITRV		2
76	Stereo - ITRV		1
77	Switch	2 - 12V Switches	3
78	Thermostat	Digital - Single Zone	1
79	Tire	ST205/75R15	2
80	Tongue Jack with Wheel - ITRV		1
82	Trailer Jack	20" - 1000 lbs.	2
83	Water Fill - City	City Water Fill Connection	1
84	Water Fill - Gravity	Water Fill - Gravity	1
85	Water Pump	12v - 3 GPM	1
86	Window, Frameless	36" x 20"	2

Luna

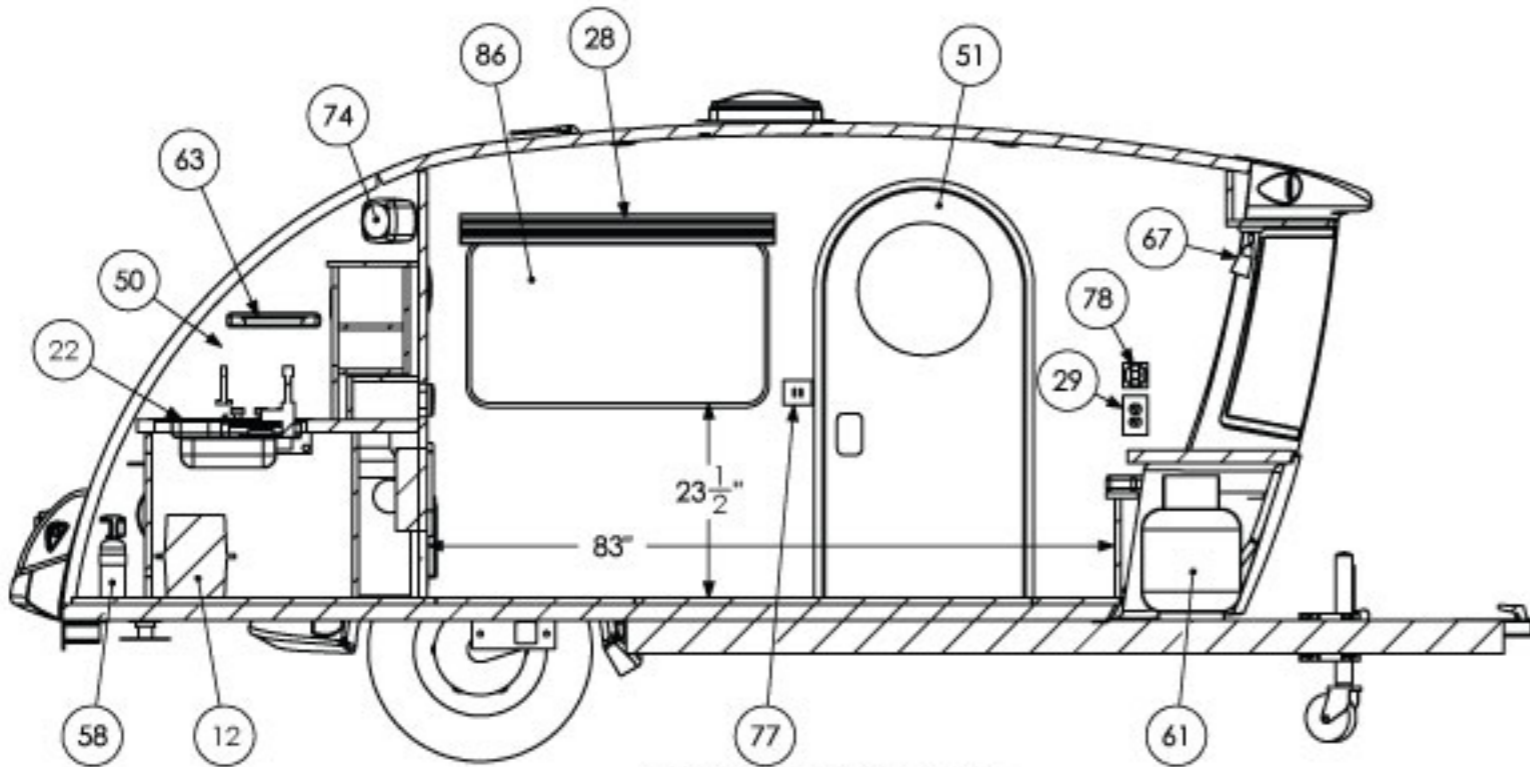
Interior Sides

SWITCH FOR STRIP LIGHTING UNDER FRONT CAP,
SWITCH FOR DAY/NIGHT SHADE LIGHTING



3-WAY SWITCH FOR CEILING LIGHTS,
SWITCH FOR EXTERIOR LIGHT

SECTION A-A
INTERIOR CURB SIDE

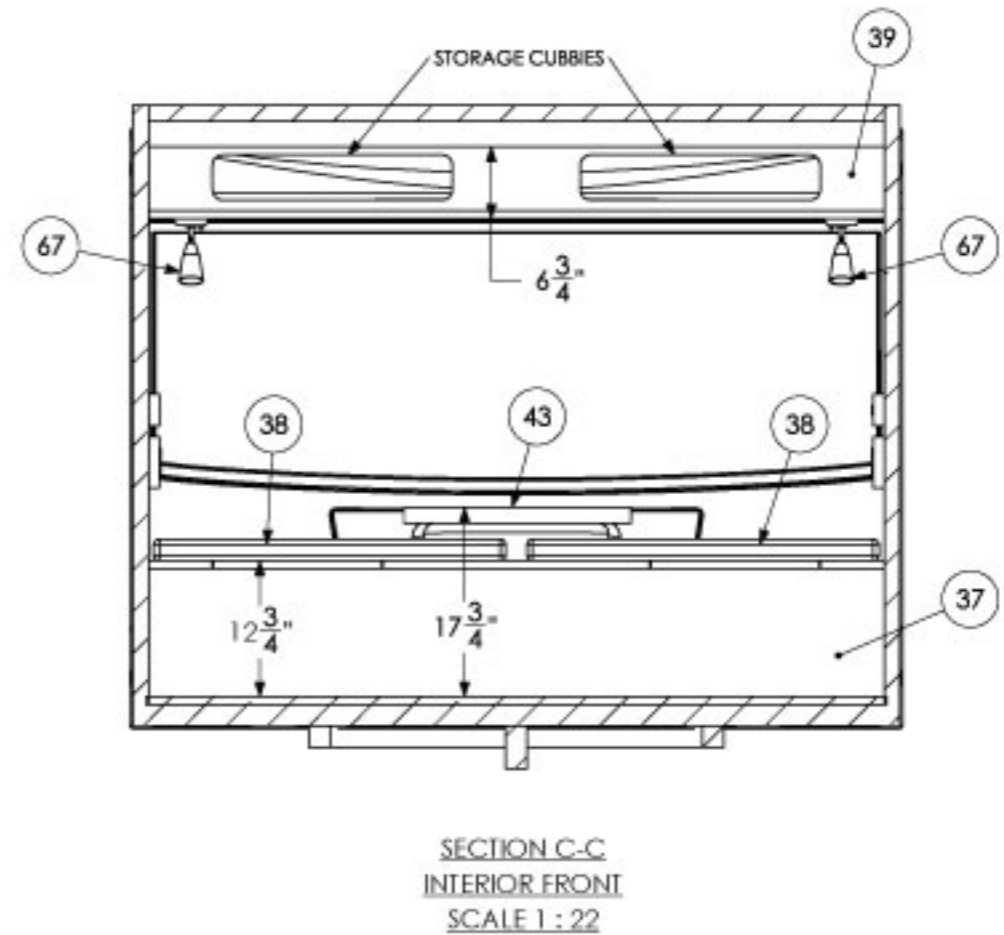
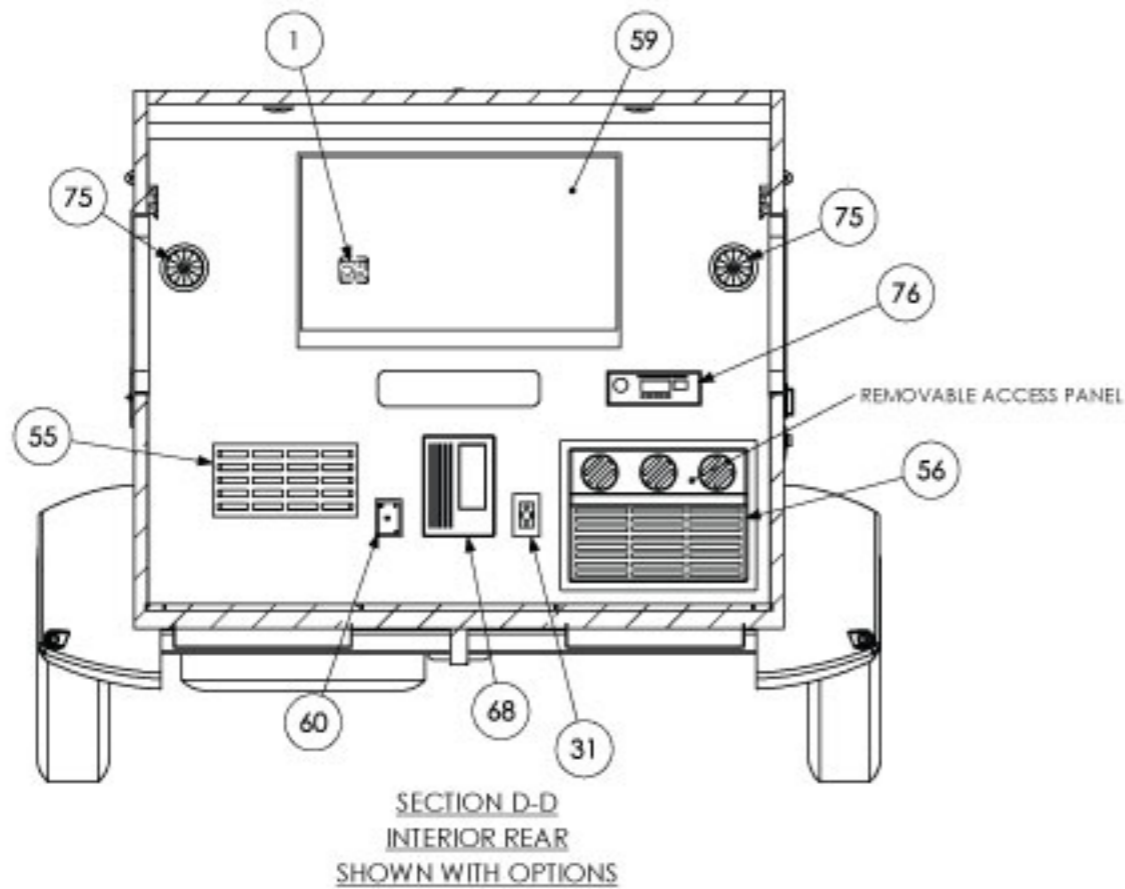
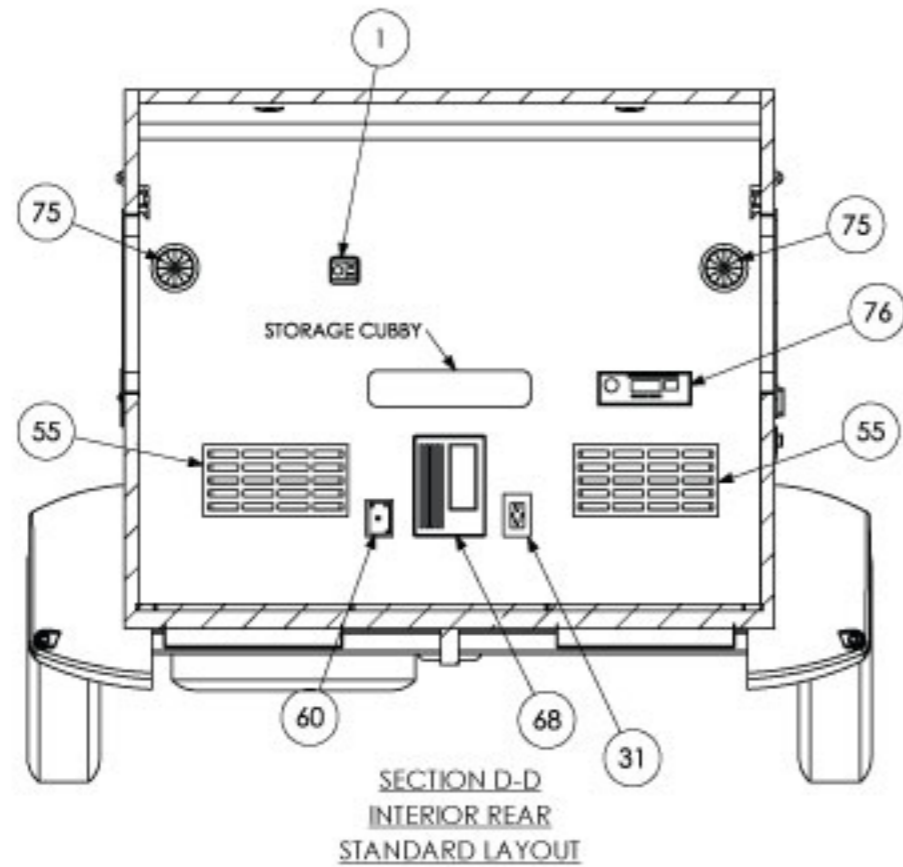


3-WAY SWITCH FOR CEILING LIGHTS,
SWITCH FOR EXTERIOR LIGHT

SECTION B-B
INTERIOR ROAD SIDE

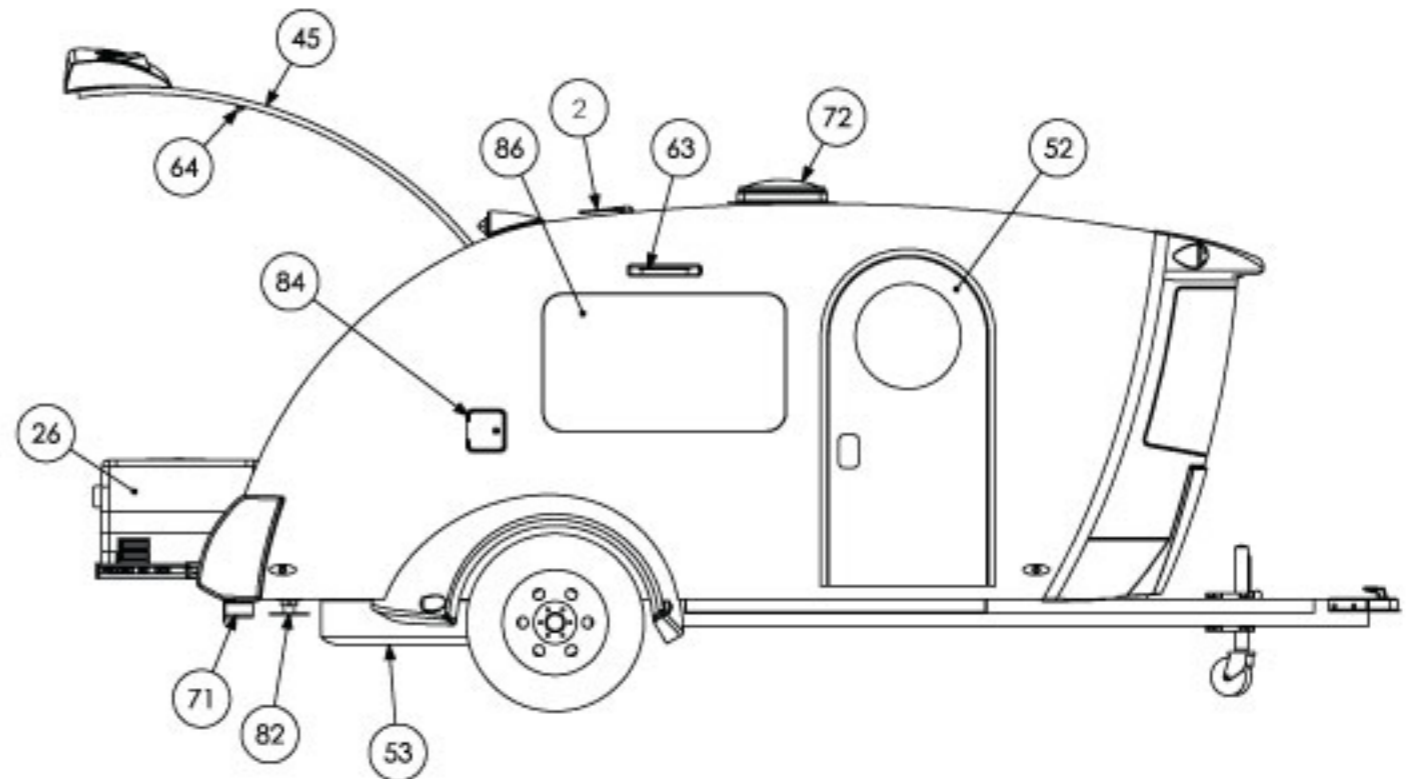
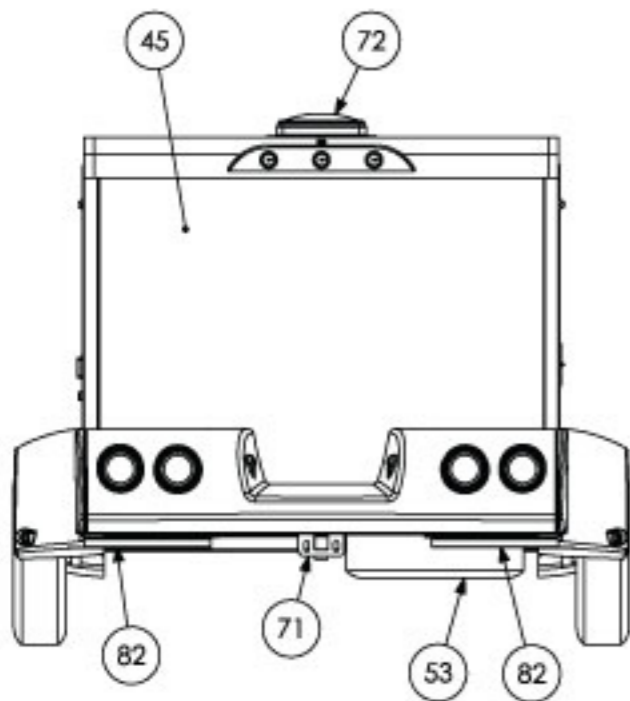
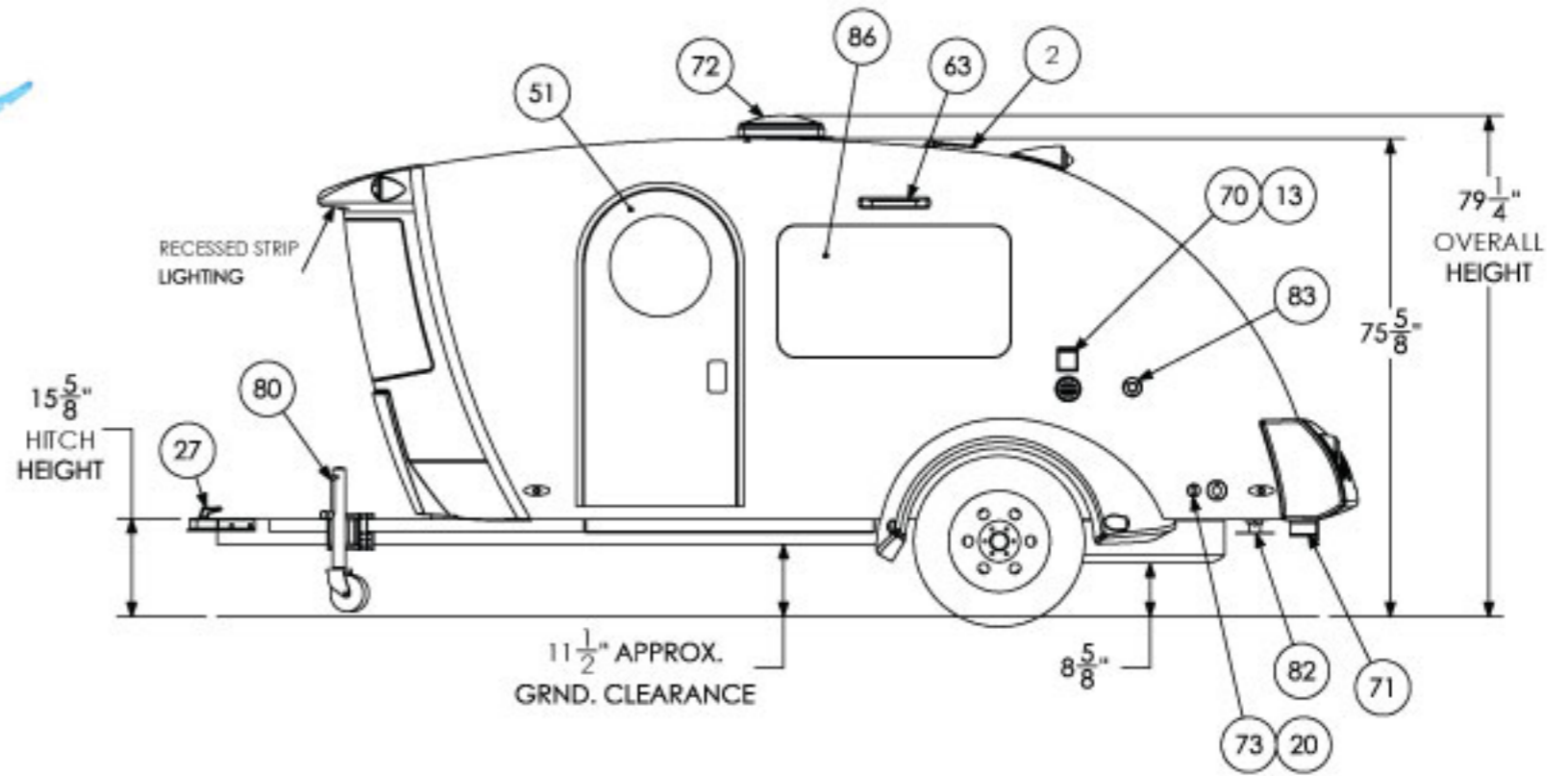
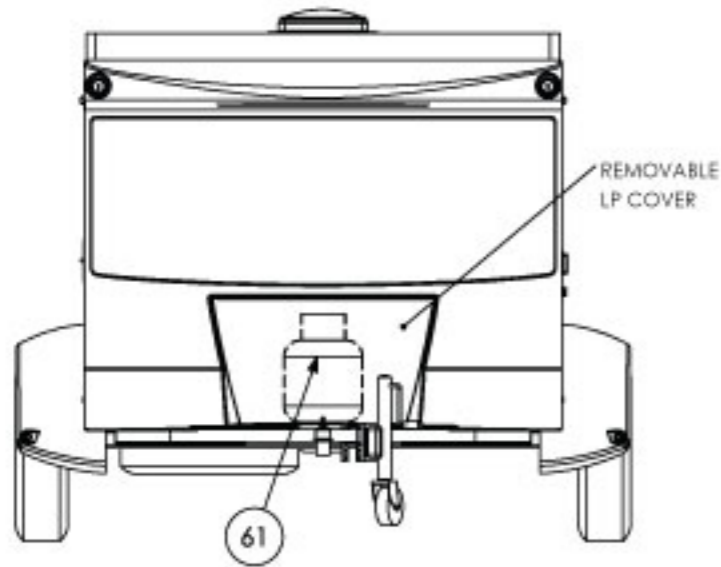
Luna

Interior Front and Rear



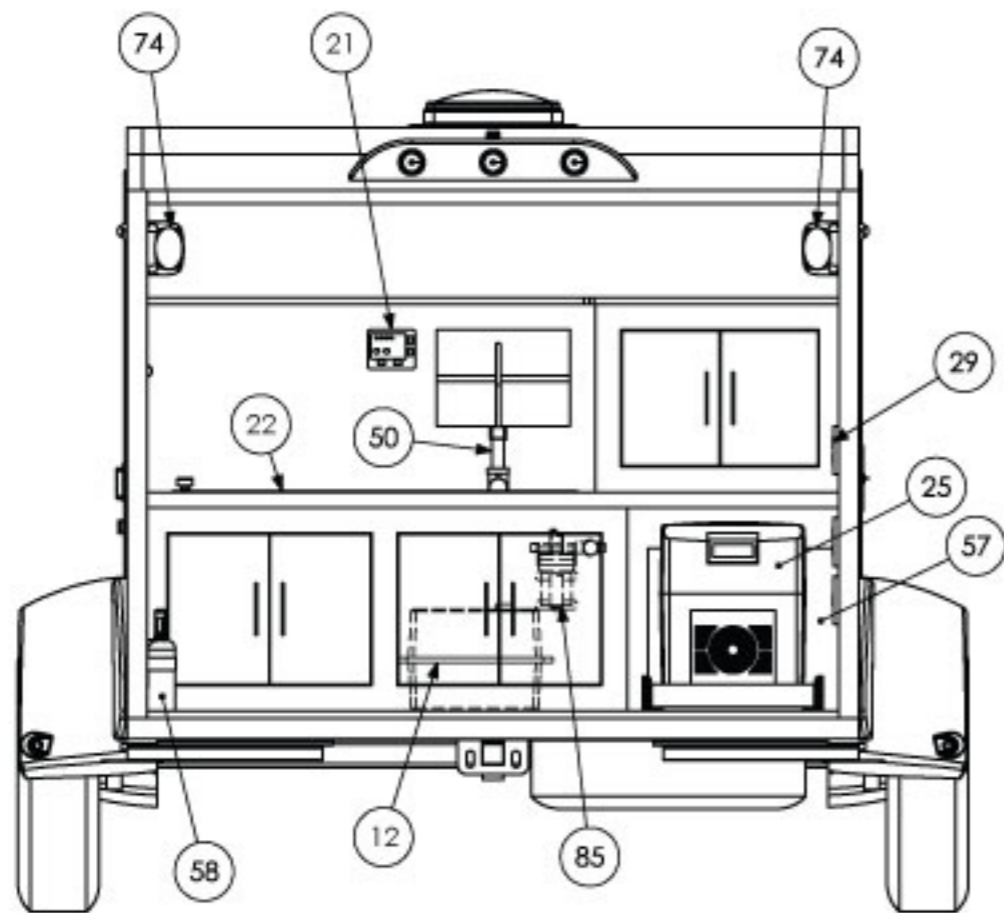
Luna

Exterior

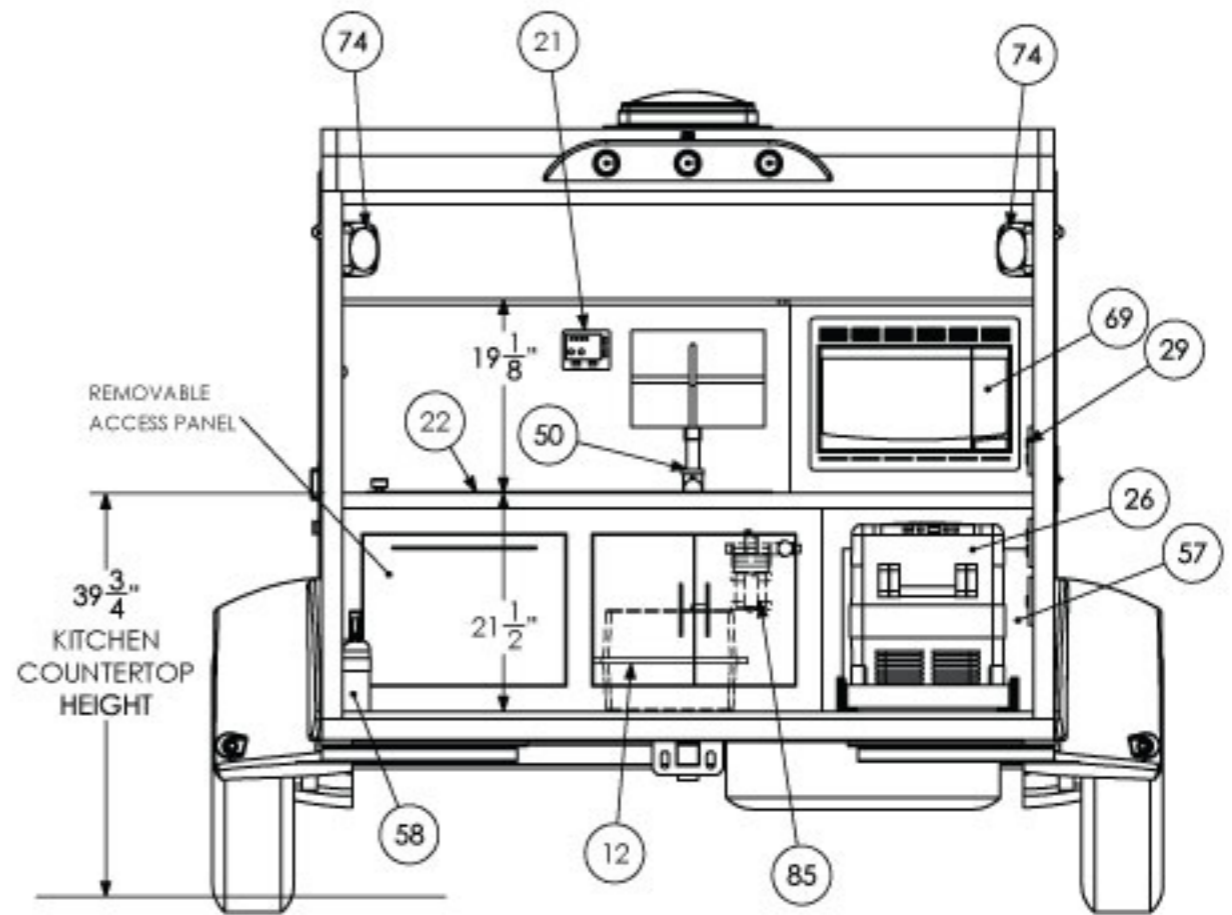


Luna

Kitchen



SECTION E-E
EXTERIOR REAR - KITCHEN LAYOUT
STANDARD



SECTION E-E
EXTERIOR REAR - KITCHEN LAYOUT
with MICROWAVE & HEAT PUMP OPTIONS