

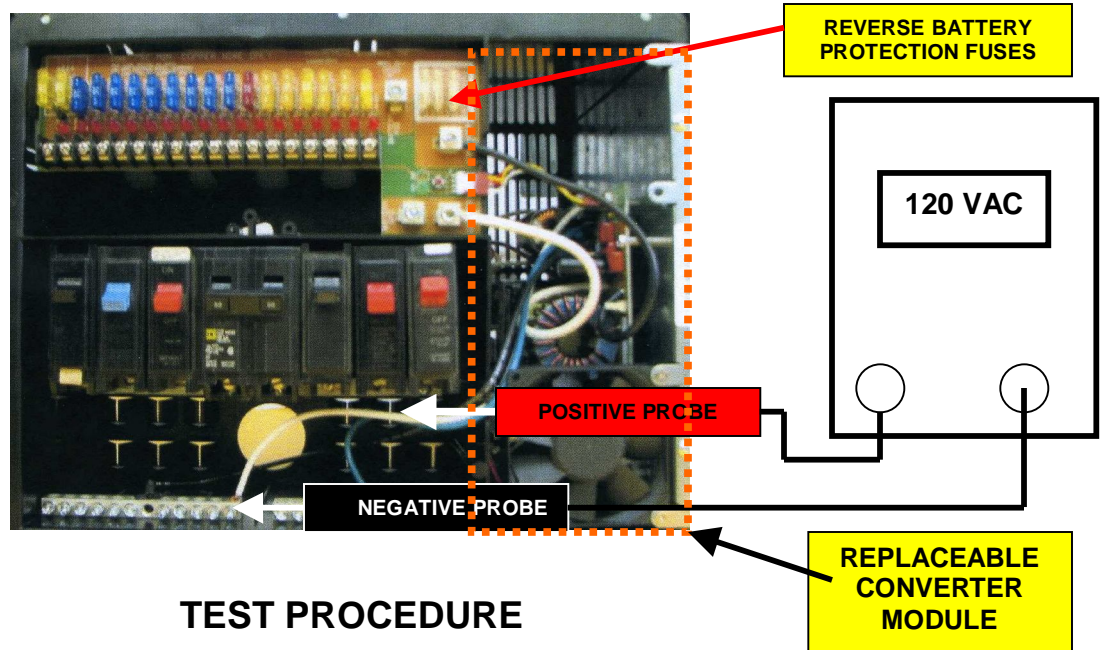


PROGRESSIVE DYNAMICS, INC.

PD4560 & PD4590 TROUBLE SHOOTING INFORMATION

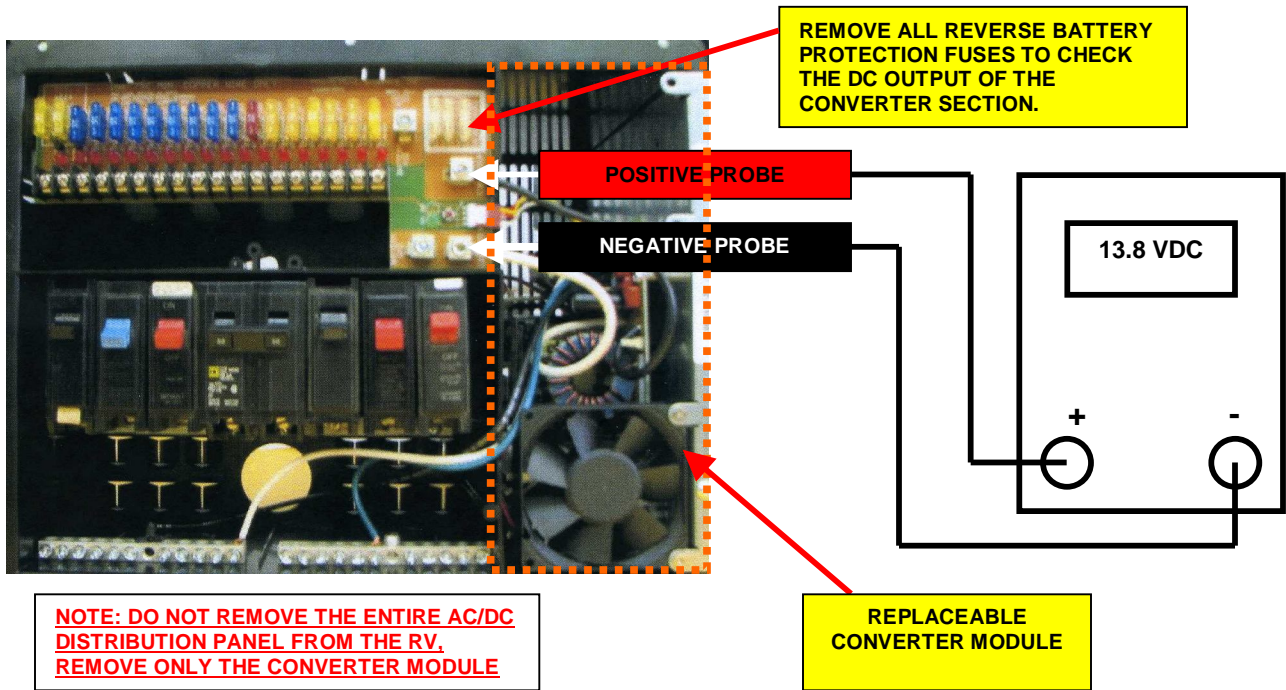
Note: Trouble shooting this unit involves exposure to live 120 VAC and should only be attempted by a qualified technician.

1. Remove front cover to expose the AC and DC wiring compartment as shown below.



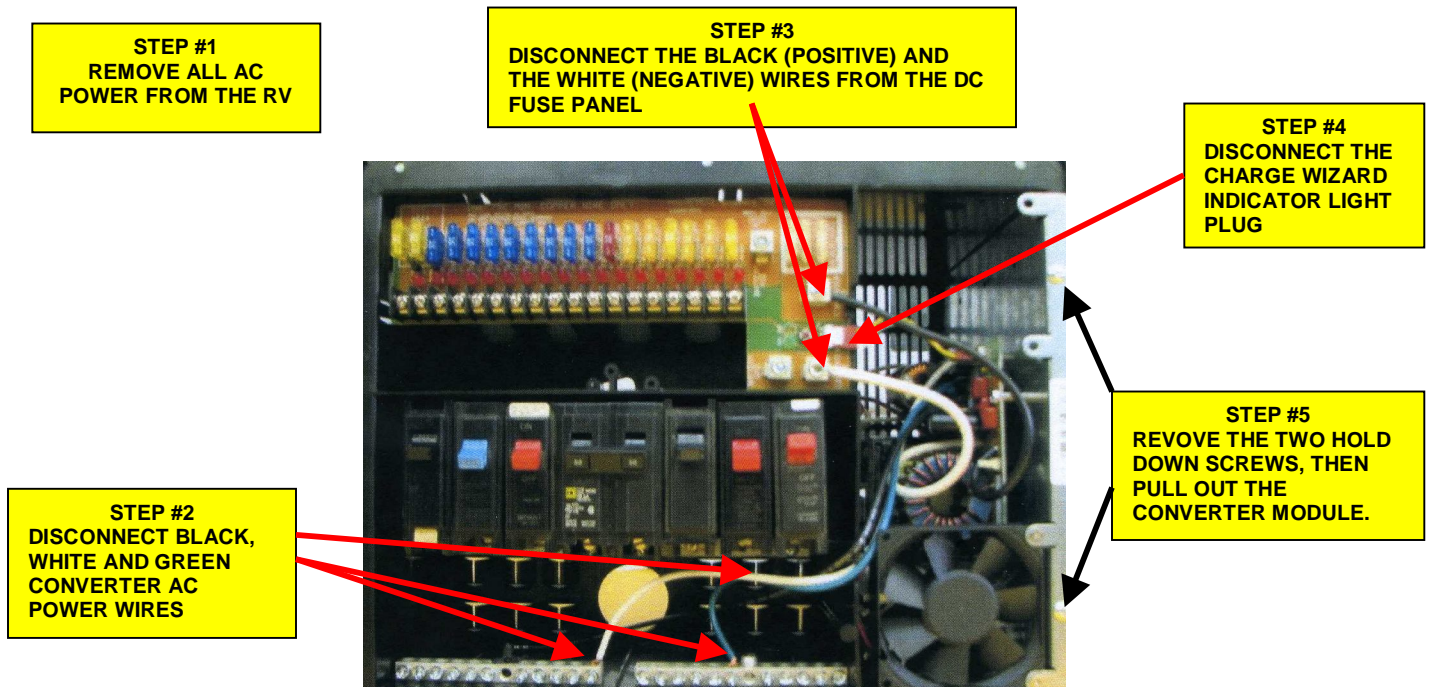
TEST PROCEDURE

2. Connect the RV to Shore Power, then using a digital voltmeter check to see that 120 VAC is available to power the Converter Module as shown above. Note: place Positive Probe on the circuit breaker to which the BLACK WIRE from the Converter Module is connected.
3. Check to see if the Reverse Battery Fuses are blown, if so replace them. The PD4560 requires three (3) 25-amp fuses; the PD4590 requires Four (4). Note: The only thing that will blow these fuses is if the battery leads were connected in reverse, even for a second.
4. With the AC power still "ON" you must now test to see if the Converter Section of the system is operating properly as follows:
 - A. Remove the Reverse Battery Protection Fuses (see next page).
 - B. Using a digital voltmeter check to see that the converter output reads between 13.3 and 13.9 volts DC (See photo on next page). If the voltage is in this range, the converter is operating properly. If the voltage is above or below this voltage, the converter section has failed and must be removed and replaced.



REMOVING THE CONVERTER MODULE

1. Disconnect all AC power from the RV.
2. Disconnect the converter AC Power Black, White and Green power wires from the Circuit breaker, Neutral and Ground busses.
3. Disconnect the Black and White DC output wires from the DC Fuse Panel.
4. Disconnect the Charge Wizard Indicator Plug.
5. Remove two Hold Down Screws, and then slide out the CONVERTER MODULE.



REPLACING THE CONVERTER MODULE

Note: At this time, there are two Replacement Converter Modules available, make sure you order the correct one.

Model # - PD4560CS (60-Amp Converter Module, with built-in Charge Wizard)

Model # - PD4590CS (90-Amp Converter Module, with built-in Charge Wizard)

1. Slide the new Converter Module into the Distribution Panel and reinstall the two hold down screws.
2. Reconnect the Charge Wizard plug.
3. Reconnect the Black and White DC output wires on the DC Fuse Panel.
4. Reconnect the Converter AC Power wires (Black, White and Green) their proper locations on the Circuit breaker (Black), Neutral Bus (White) and Ground Bus (Green).
5. Apply AC power to the RV and test to see if the new converter is operating properly using the test procedures above.

**Progressive Dynamics, Inc.
Service Department
507 Industrial Road
Marshall, MI 49068**

Phone 269-781-4241 Ext. 143

E-mail service@progressivedyn.com

