

# Pursue Dimensions

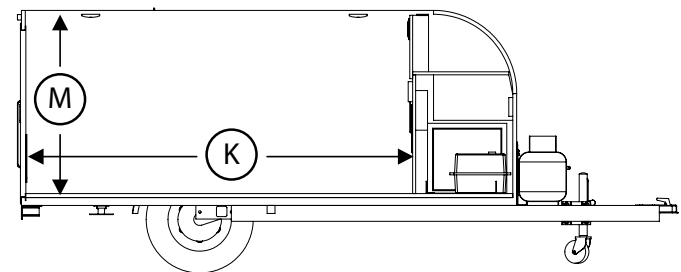
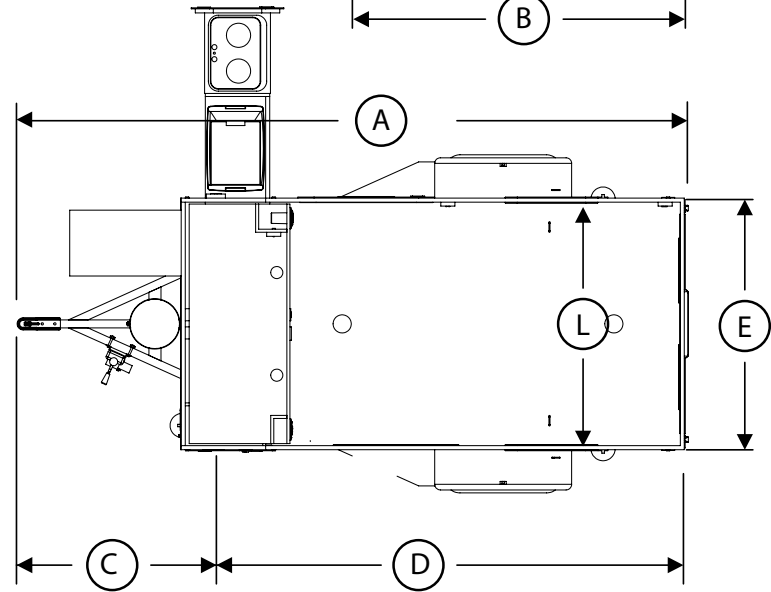
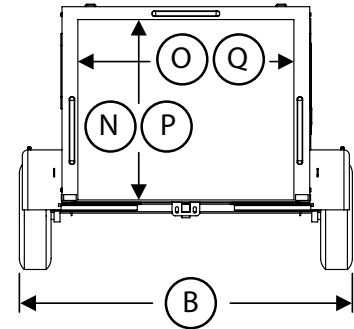
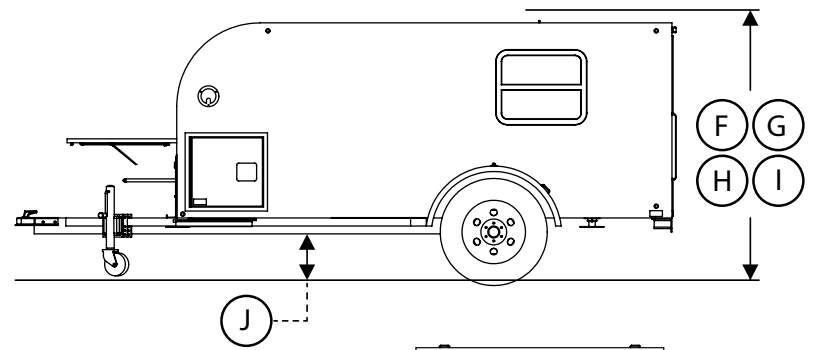
Overall Length (A) 165 3/4"  
 Overall Width (B) 82 1/2"  
 A-Frame Length (C) 40 3/4"  
 Box Length (D) 125"  
 Box Width (E) 62 1/2"

\* Overall Height  
 w/ Manual Vent (F) 68 1/2"  
 w/ MaxxAir Vent (G) 70 1/2"  
 w/ A/C (H) 73 1/2"  
 w/ Roof Rack (I) 74 1/2"

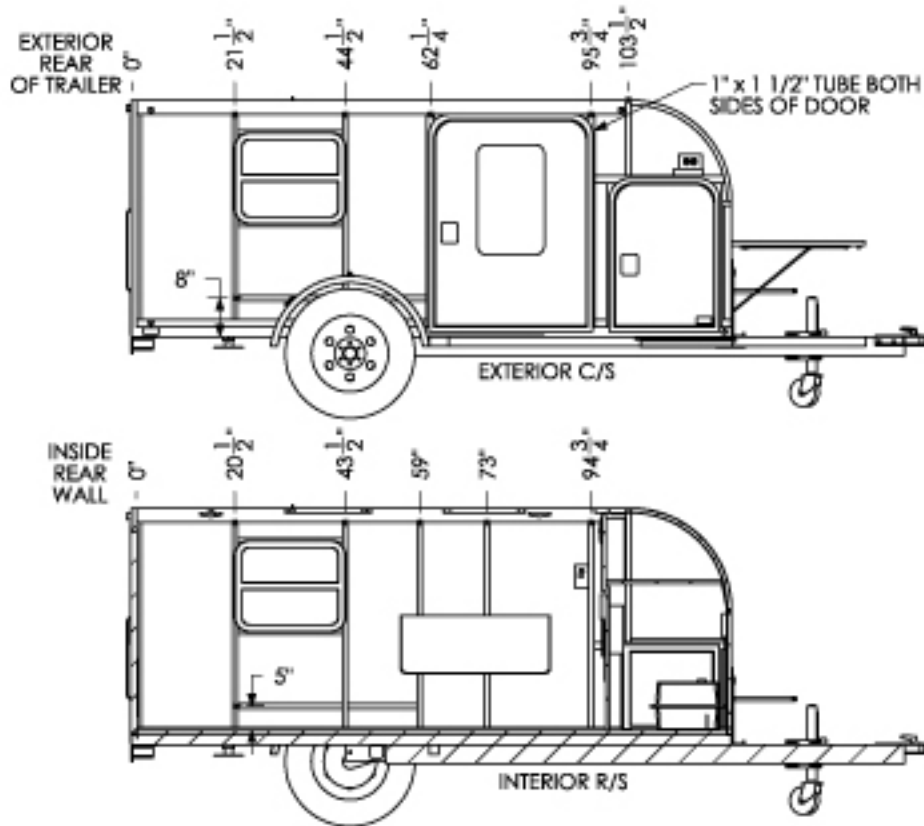
\* Ground Clearance (J) 11 1/2"  
 \*\* Interior Length (K) 97 3/4"  
 Interior Width (L) 59 1/4"  
 Interior Height (M) 45 1/4"

Rear Double Door Clear Opening Height (N) 40 1/4"  
 Rear Double Door Clear Opening Width (O) 49 1/2"  
 Rear Ramp Clear Opening Height (P) N/A  
 Rear Ramp Clear Opening Height (Q) N/A

Axles 2200#  
 GVWR 2200#  
 Brakes No  
 Weight Range 1000 - 1550#  
 Hitch Ball Size 2"  
 \* Hitch Height 15 5/8"



# Pursue Flyer Framing



**NOTES:**

1. ALL DIMENSIONS FOR REFERENCE ONLY
2. ALL DIMENSIONS TAKEN FROM CENTER OF TUBE UNLESS OTHERWISE NOTED
3. ALL TUBES 1" x 1" UNLESS OTHERWISE NOTED

