

Explore Dimensions

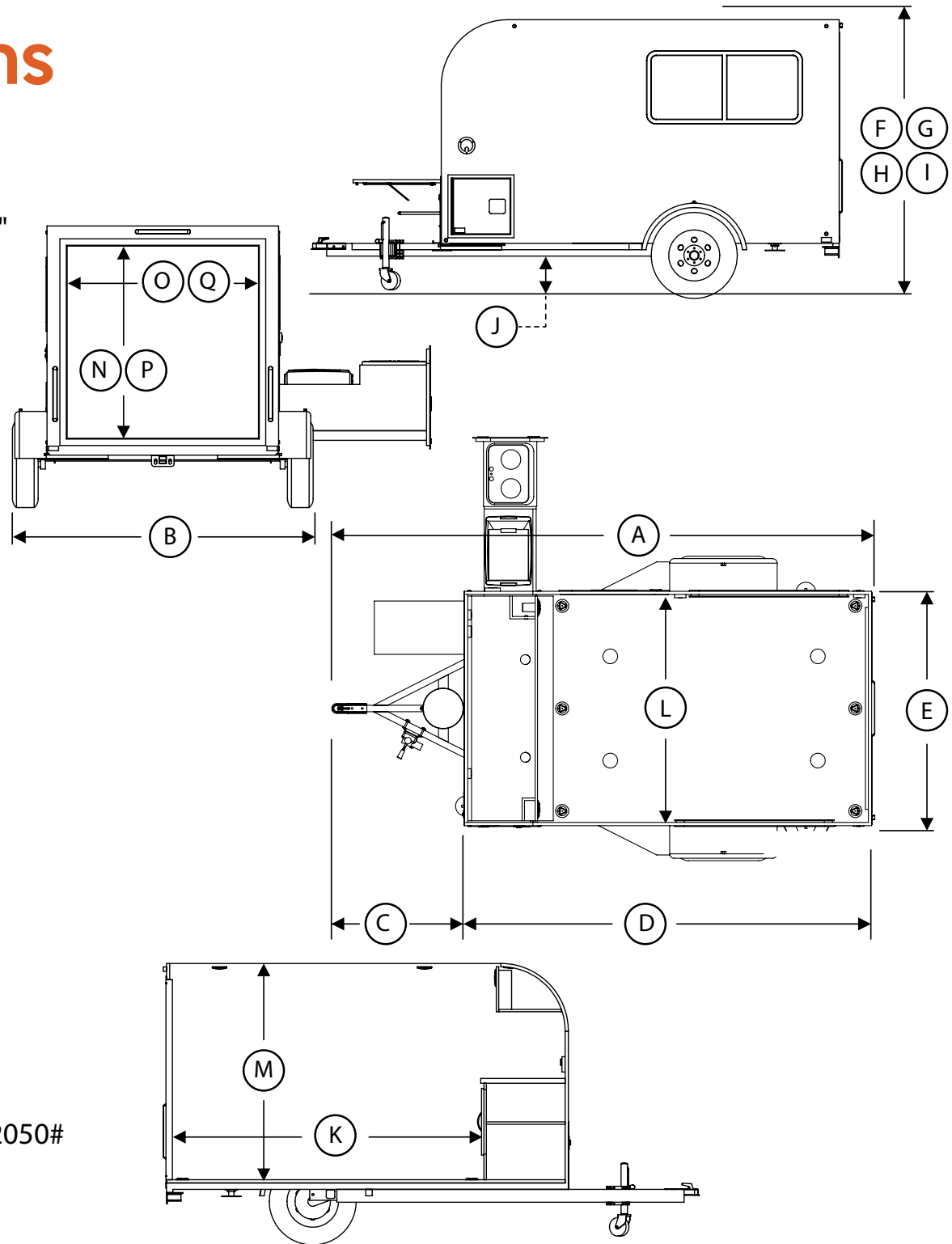
Overall Length (A) 165 3/4"
 Overall Width (B) 92"
 A-Frame Length (C) 40 3/4"
 Box Length (D) 125"
 Box Width (E) 72"

* Overall Height
 w/ Manual Vent (F) 89 1/2"
 w/ MaxxAir Vent (G) 91 1/2"
 w/ A/C (H) 94 1/2"
 w/ Roof Rack (I) 95 1/2"

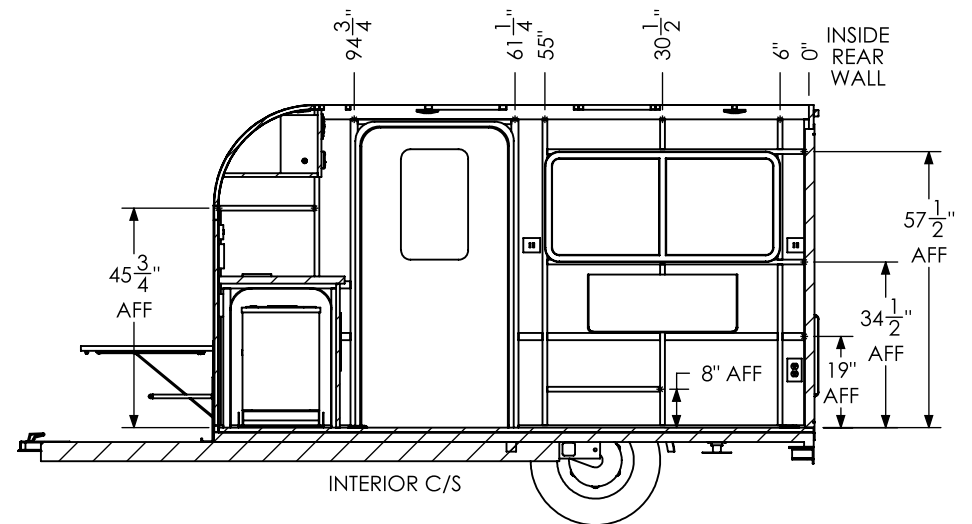
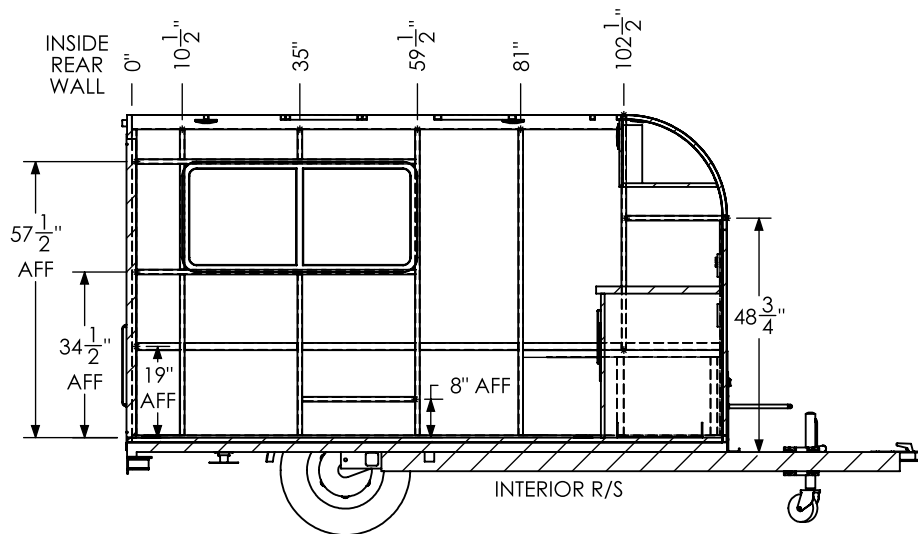
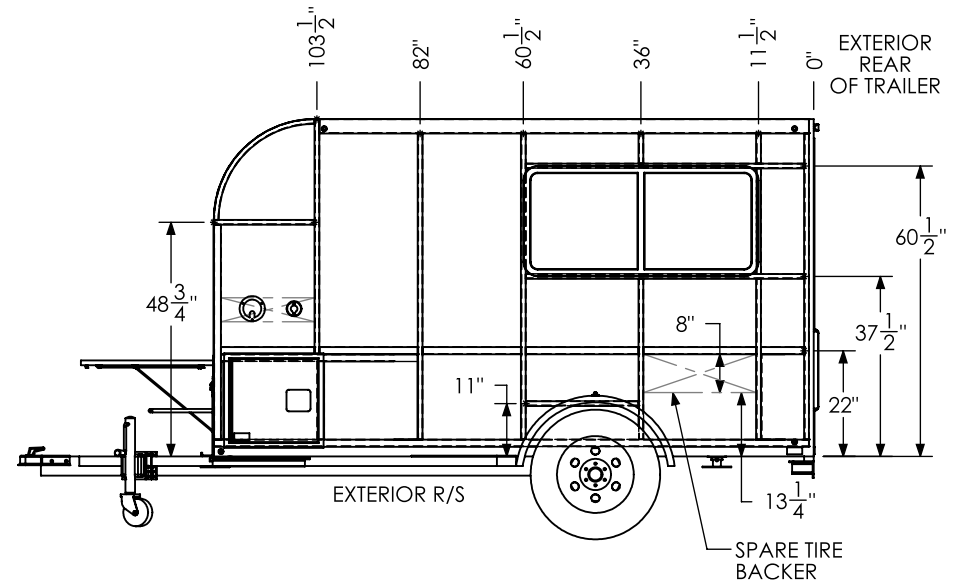
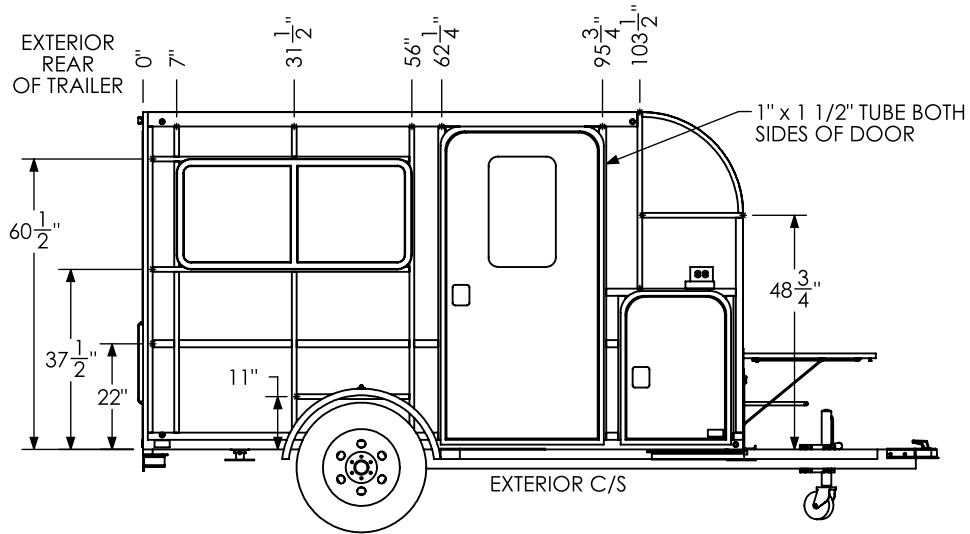
* Ground Clearance (J) 11 1/2"
 ** Interior Length (K) 96 7/8"
 Interior Width (L) 69"
 Interior Height (M) 66 1/4"

Rear Double Door Clear Opening Height (N) 61"
 Rear Double Door Clear Opening Width (O) 58 1/2"
 Rear Ramp Clear Opening Height (P) 62 1/4"
 Rear Ramp Clear Opening Height (Q) 62"

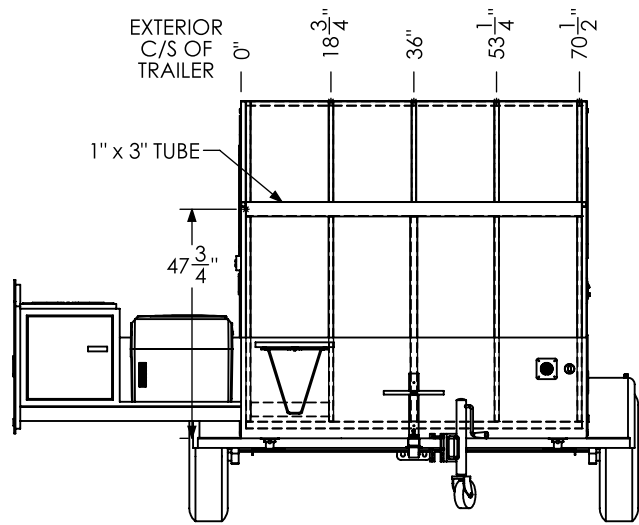
Axles 2990#
 GVWR 2990#
 Brakes Yes
 Weight Range 1400 - 2050#
 Hitch Ball Size 2"
 * Hitch Height 15 5/8"



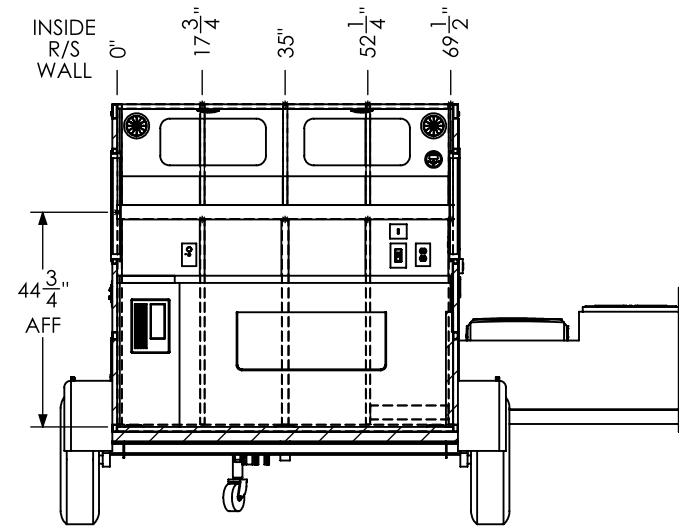
Explore Flyer Framing



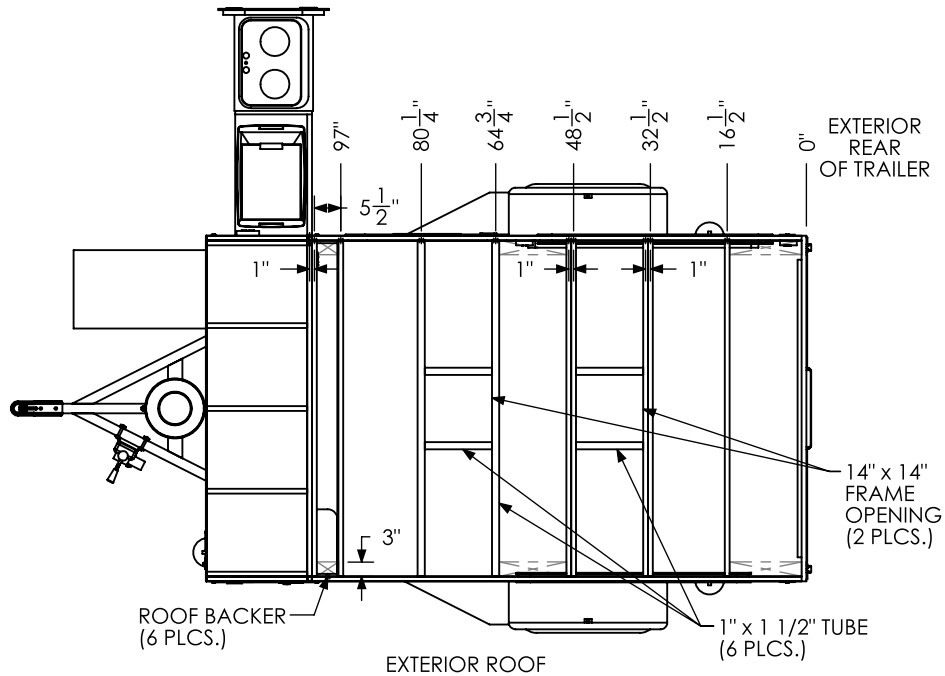
Explore Flyer Framing



EXTERIOR FRONT



INTERIOR FRONT

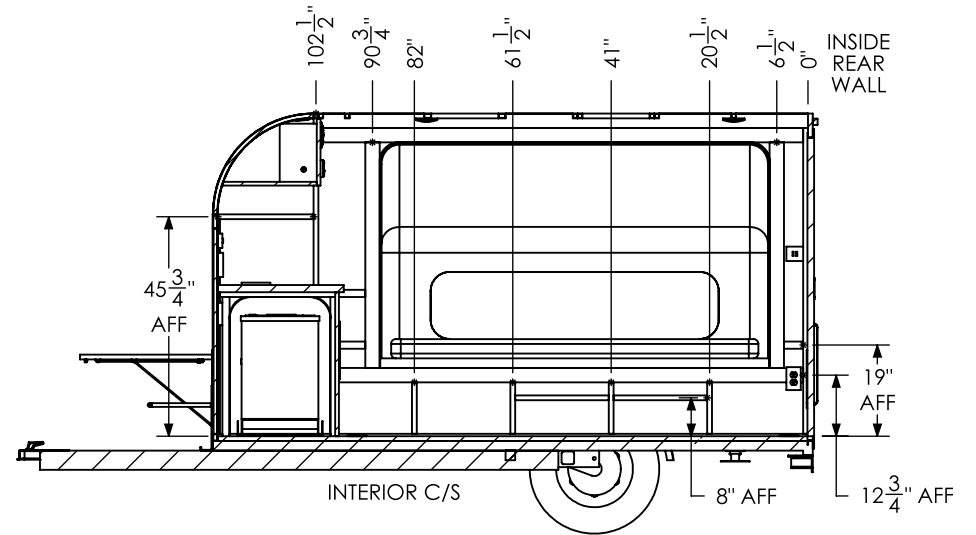
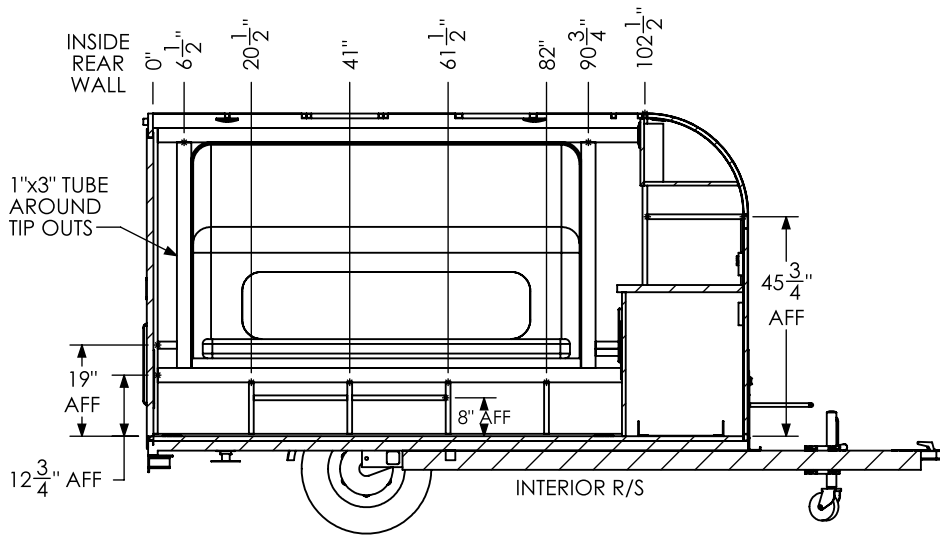
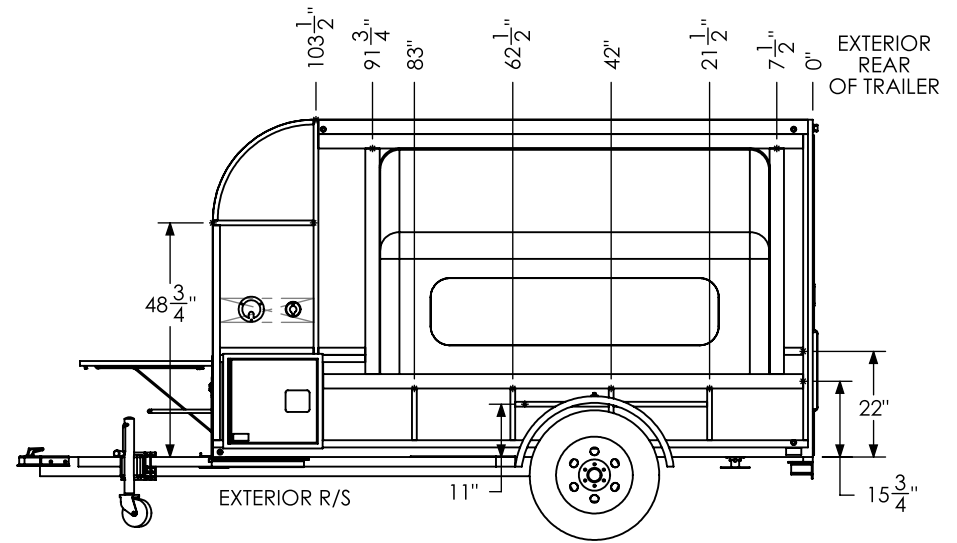
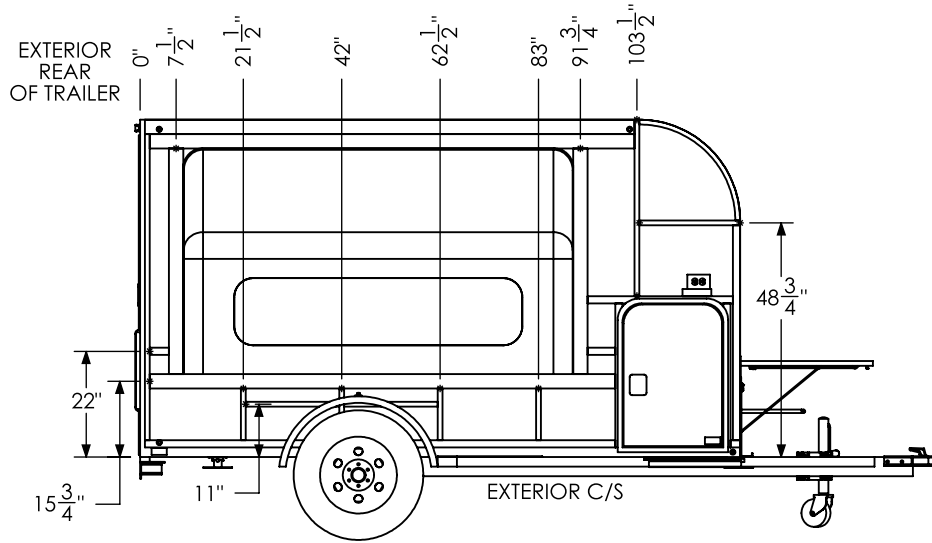


EXTERIOR ROOF

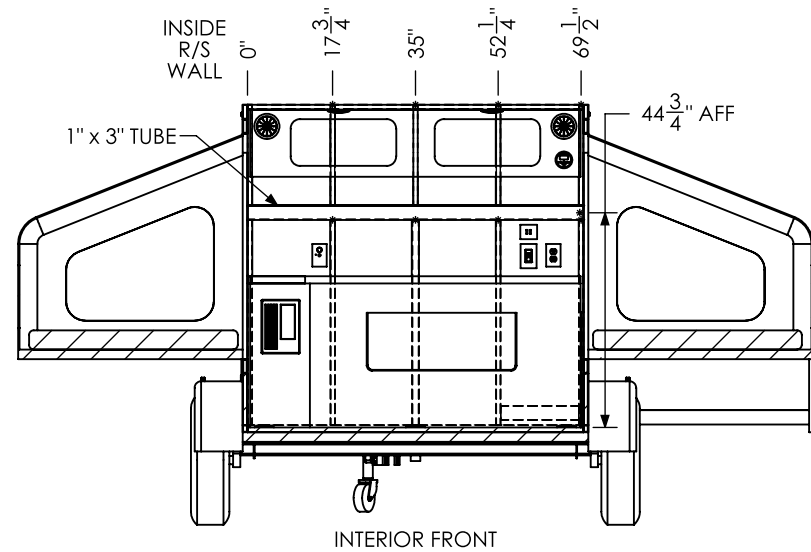
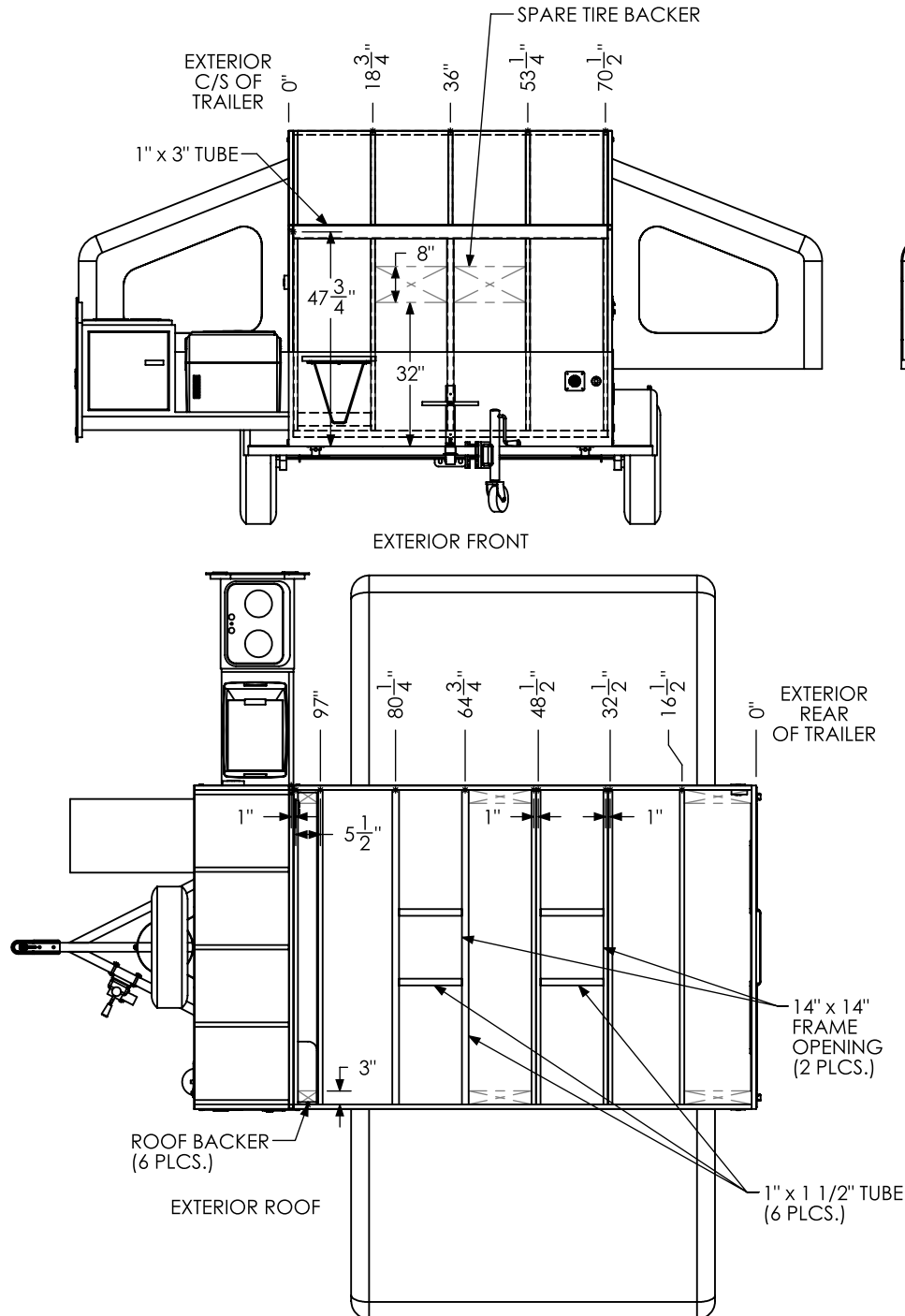
NOTES:

1. ALL DIMENSIONS FOR REFERENCE ONLY
2. ALL DIMENSIONS TAKEN FROM CENTER OF TUBE UNLESS OTHERWISE NOTED
3. ALL TUBES 1" x 1" UNLESS OTHERWISE NOTED

Explore Flyer w/ Dual Tip Out Framing

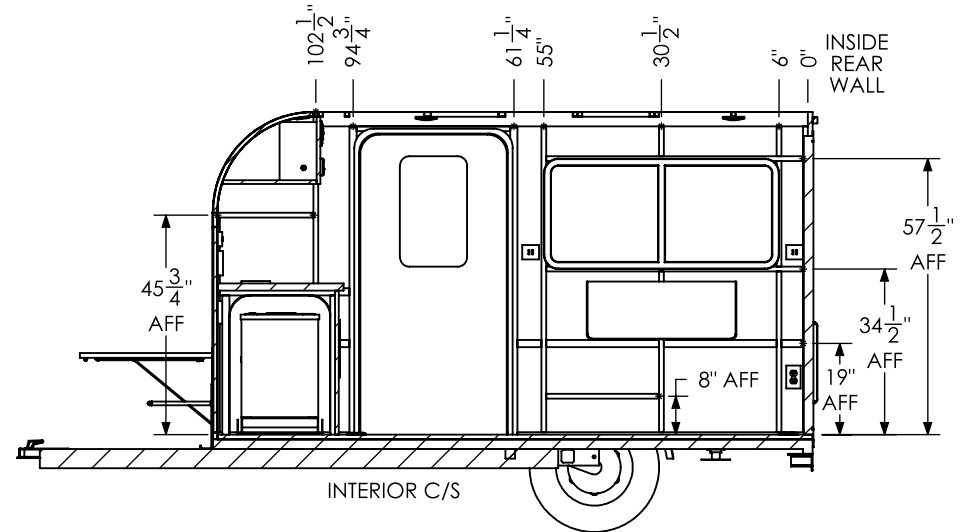
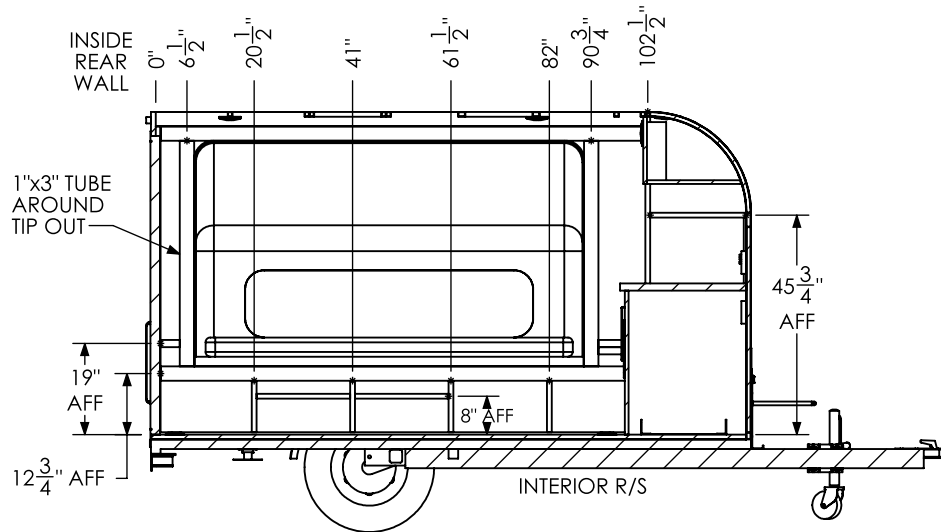
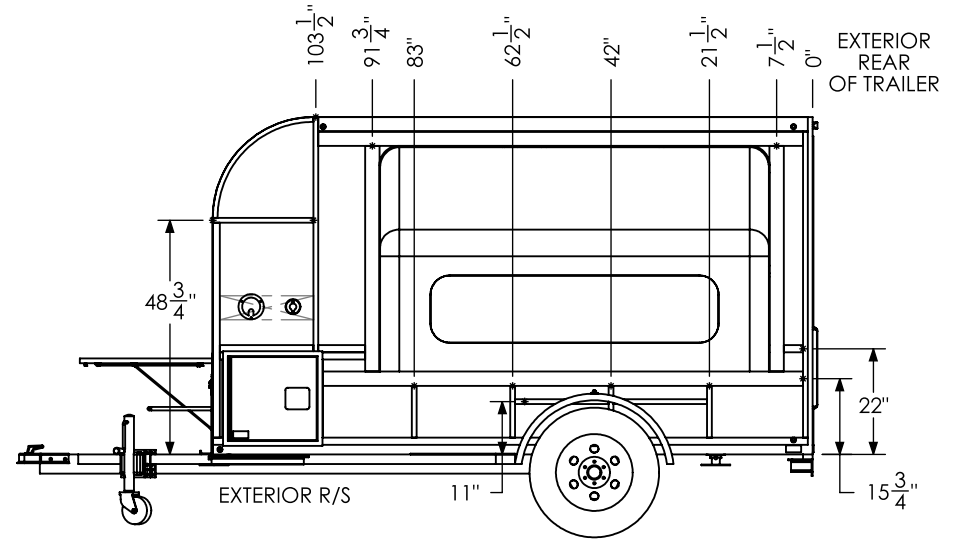
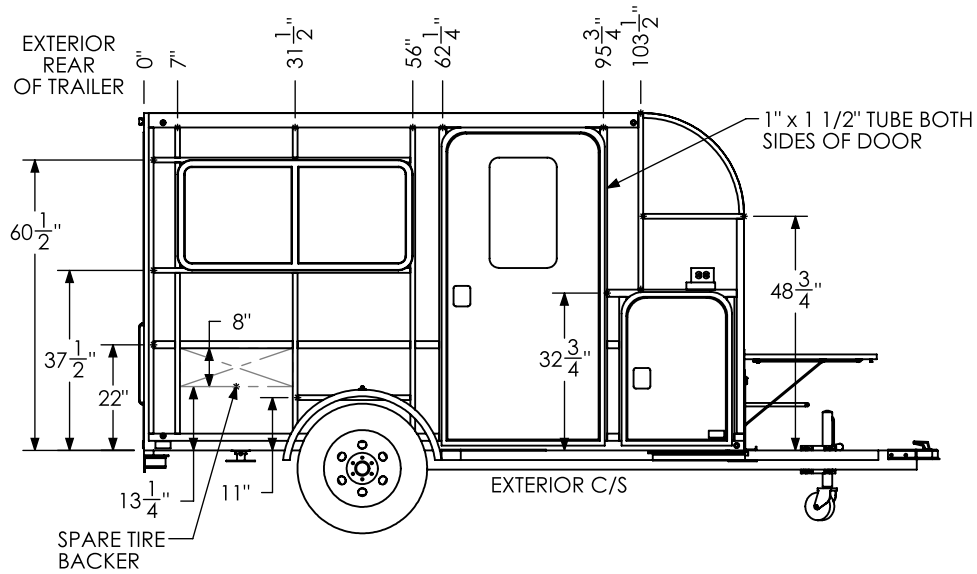


Explore Flyer w/ Dual Tip Out Framing



- NOTES:
1. ALL DIMENSIONS FOR REFERENCE ONLY
 2. ALL DIMENSIONS TAKEN FROM CENTER OF TUBE UNLESS OTHERWISE NOTED
 3. ALL TUBES 1" x 1" UNLESS OTHERWISE NOTED

MAX+ Flyer w/ Tip Out Framing



MAX+ Flyer w/ Tip Out Framing

