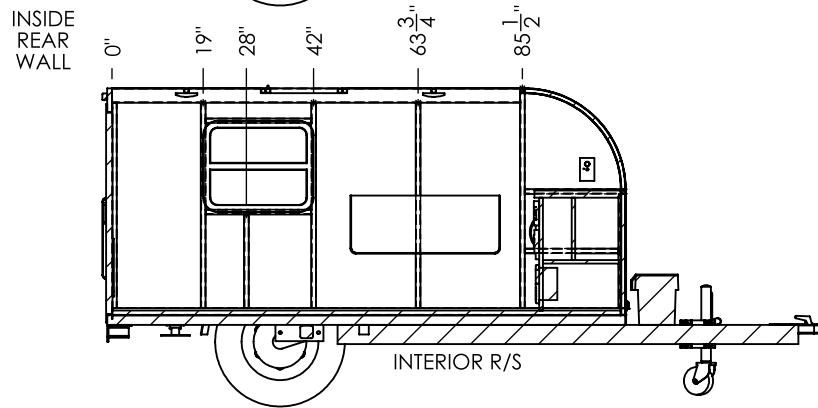
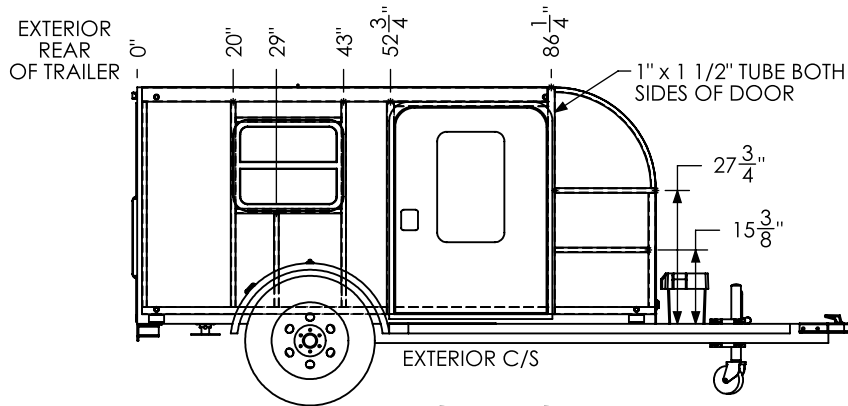


# Chase Flyer Framing



- NOTES:
1. ALL DIMENSIONS FOR REFERENCE ONLY
  2. ALL DIMENSIONS TAKEN FROM CENTER OF TUBE UNLESS OTHERWISE NOTED
  3. ALL TUBES 1" x 1" UNLESS OTHERWISE NOTED

